

Router board

Fingerboard

Frame Angle Adjuster

Knobs with rod - M6

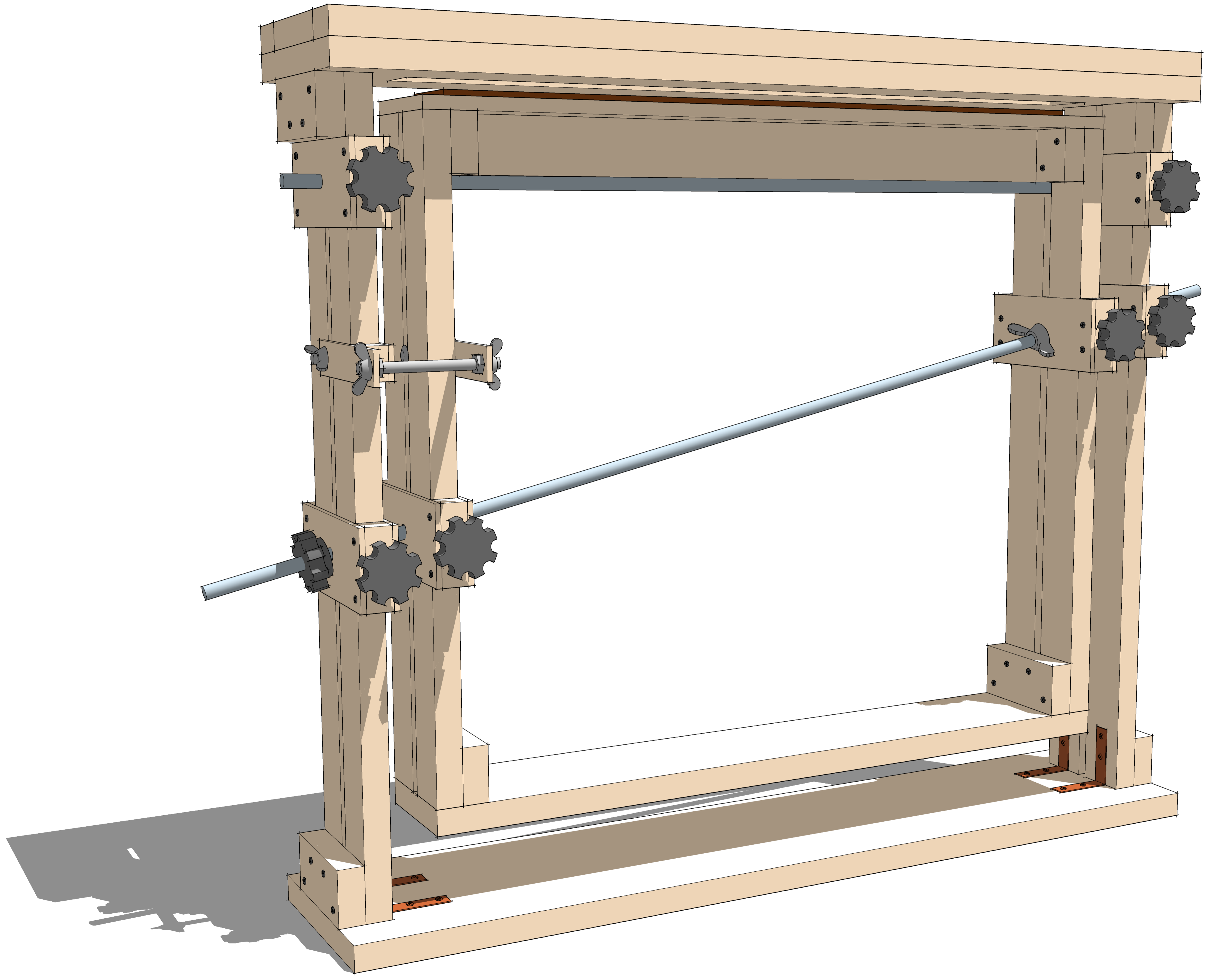
Bracket reinforcement

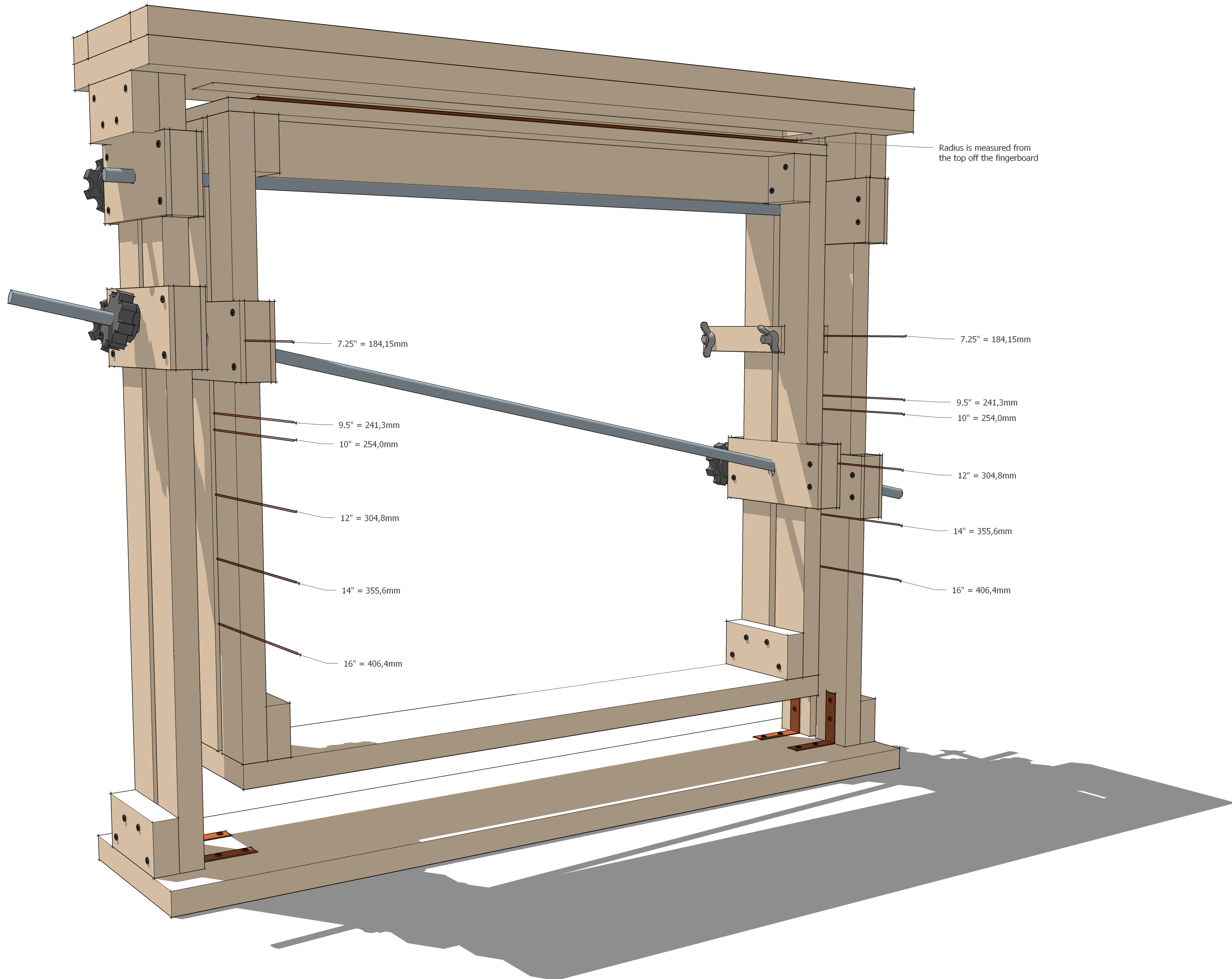
Height Adjuster Rod
Threaded rod - M10

Radius Adjuster Rod
Threaded rod - M10

Inner Frame

Outer Frame





Radius is measured from the top off the fingerboard

7.25" = 184,15mm

9.5" = 241,3mm

10" = 254,0mm

12" = 304,8mm

14" = 355,6mm

16" = 406,4mm

7.25" = 184,15mm

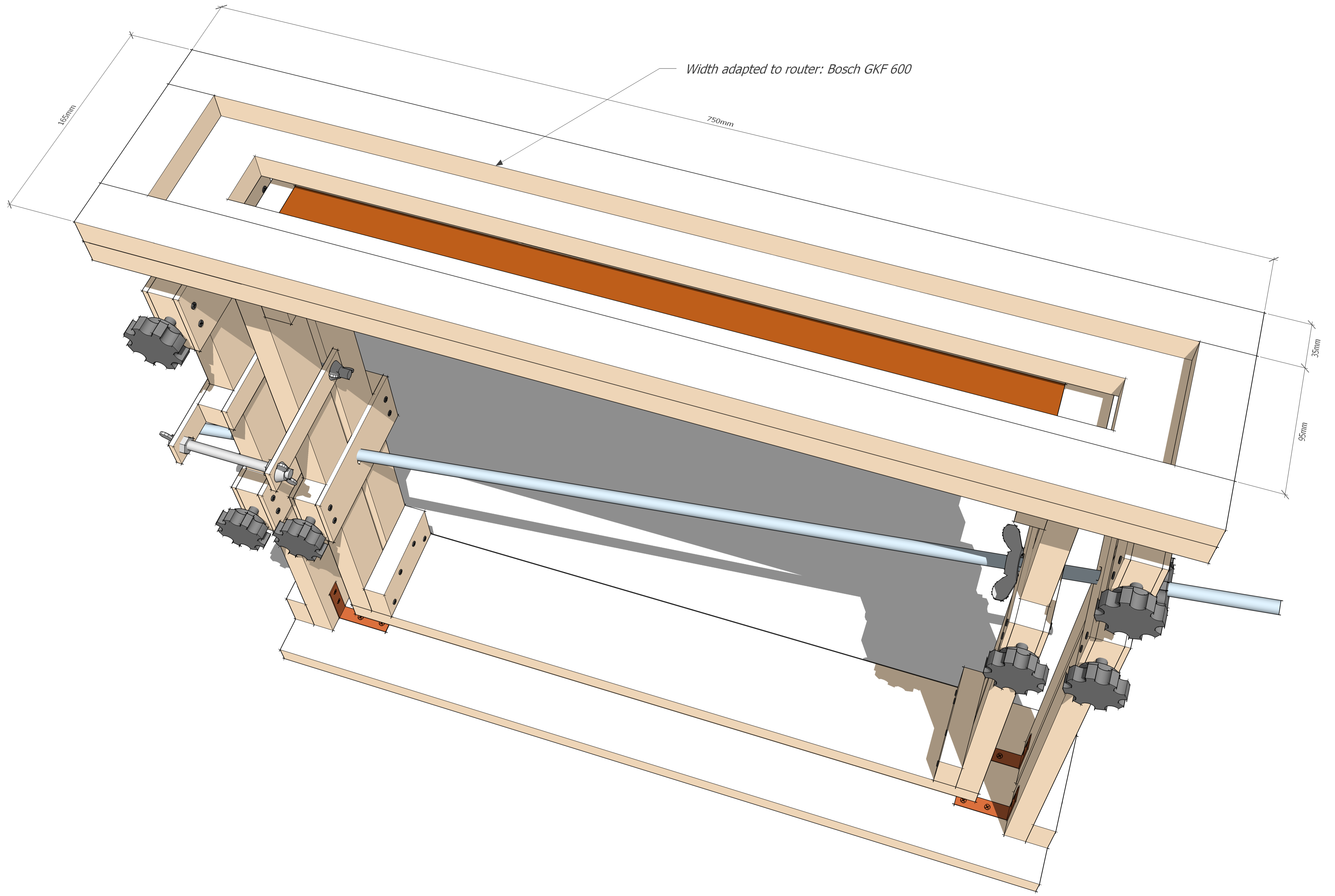
9.5" = 241,3mm

10" = 254,0mm

12" = 304,8mm

14" = 355,6mm

16" = 406,4mm



Width adapted to router: Bosch GKF 600

165mm

750mm

35mm

95mm

